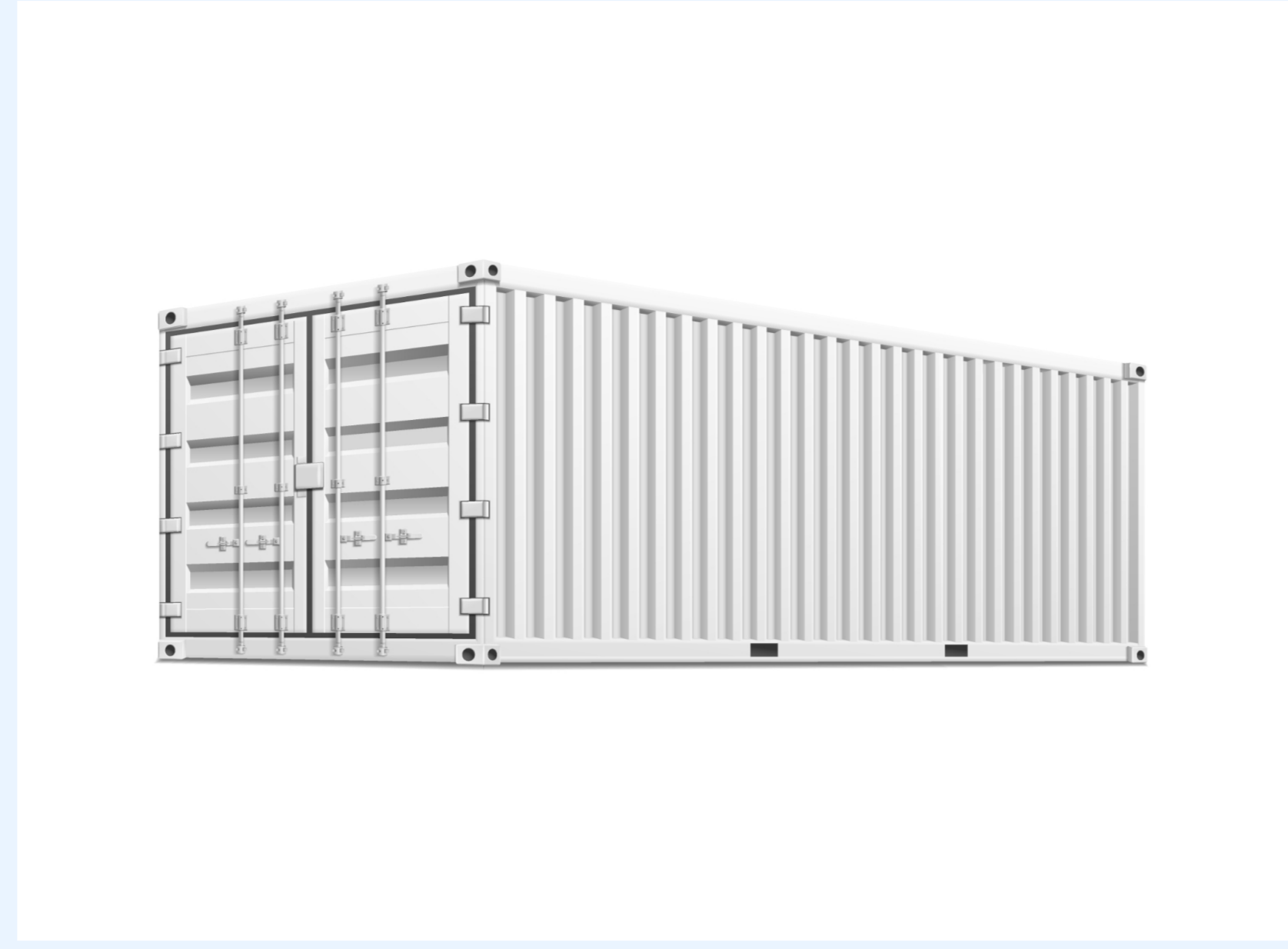


## DRY CONTAINER



20' Dry container

External dimensions (LxWxH)	6.05×2.43×2.59 m	19.84×7.97×7.9 ft
Internal dimensions (LxWxH)	5.9×2.35×2.39 m	19.4×7.7×7.9ft
Door opening (WxH)	2.34×2.28 m	7.7×7.5 ft
Tare weight	2,300 kg	5,071.5 lbs
Payload capacity	25,000 kg	55,126.9 lbs
Cubic capacity	33 m <sup>3</sup>	1,172 cu ft



40' Dry container

External dimensions (LxWxH)	12.19×2.43×2.59 m	39.99×7.97×8.49 ft
Internal dimensions (LxWxH)	12.03×2.25×2.39 m	39.5× 7.7×7.9 ft
Door opening (WxH)	2.34×2.28 m	7.7×7.5 ft
Tare weight	3,750 kg	5,071.5 lbs
Payload capacity	27,600 kg	61,200 lbs
Cubic capacity	67.7 m <sup>3</sup>	2,389 cu ft



40' High cube dry container

External dimensions (LxWxH)	12.19×2.43×2.89 m	39.99×7.79×9.48 ft
Internal dimensions (LxWxH)	12.03×2.35×2.70 m	39.5×7.7×8.9ft
Door opening (WxH)	2.34×2.58 m	7.7×7.8 ft
Tare weight	3,940 kg	8,687.7 lbs
Payload capacity	28,560 kg	62,974.8 lbs
Cubic capacity	76.4 m <sup>3</sup>	2,696.9 cu ft

## REEFER CONTAINER



20' Reefer container

External dimensions (LxWxH)	6.05×2.43×2.59 m	19.84×7.97×8.49 ft
Internal dimensions (LxWxH)	5.44×2.29×2.27 m	17.9×7.5×7.5 ft
Door opening (WxH)	2.33×2.10 m	7.3×6.9 ft
Tare weight	3,080 kg	6,791.4 lbs
Payload capacity	27,400 kg	60,417 lbs
Cubic capacity	28.3 m <sup>3</sup>	999 cu ft



40' Reefer container

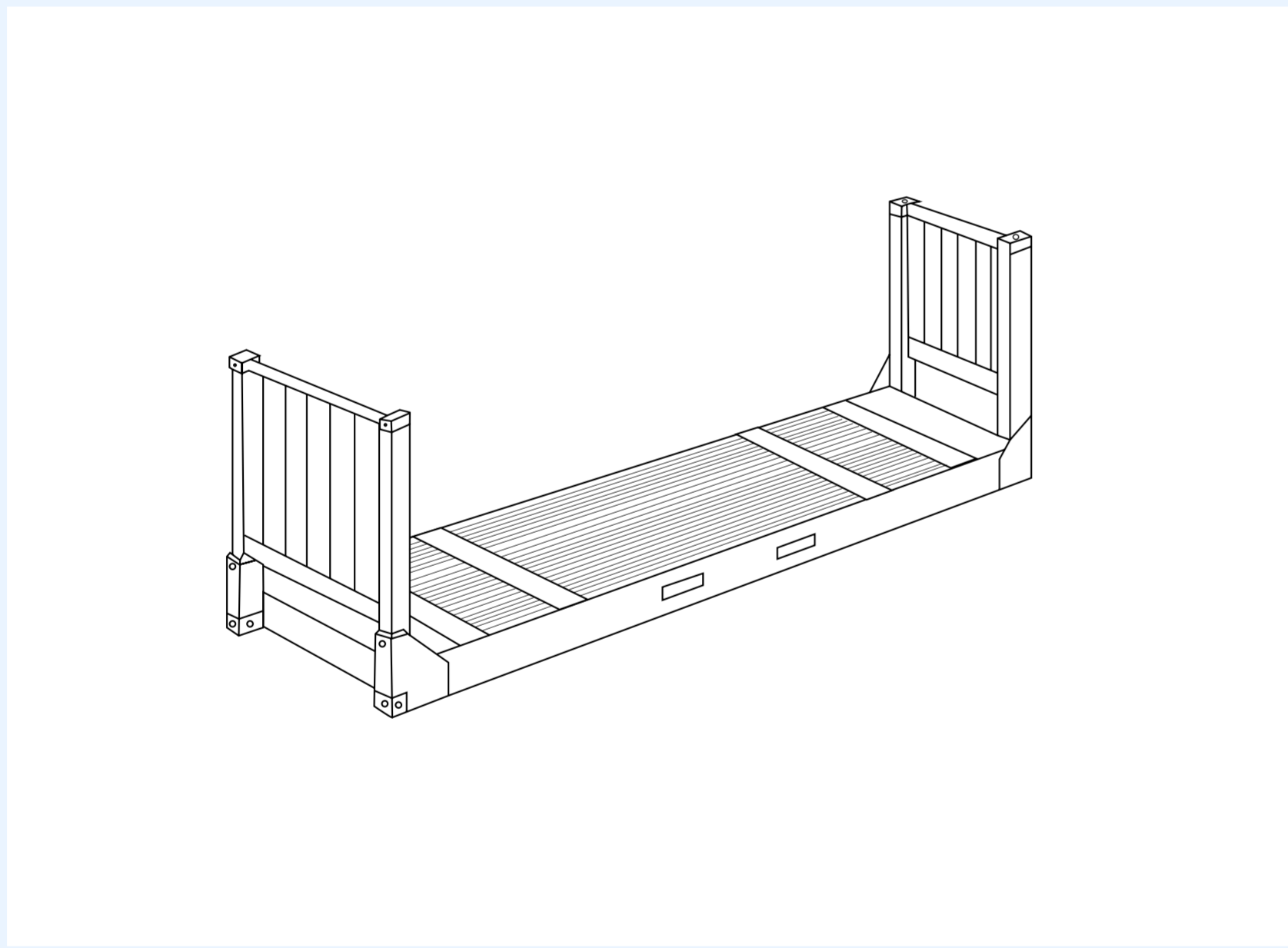
External dimensions (LxWxH)	12.16×2.42×2.59 m	39.89×7.93×8.46 ft
Internal dimensions (LxWxH)	11.56×2.28×2.25 m	37.9× 7.5×7.4 ft
Door opening (WxH)	2.29×2.26 m	7.5×7.4 ft
Tare weight	4,800 kg	10,584 lbs
Payload capacity	27,700 kg	61,078.5 lbs
Cubic capacity	59.3 m <sup>3</sup>	2,093.3 cu ft



40' High cube reefer container

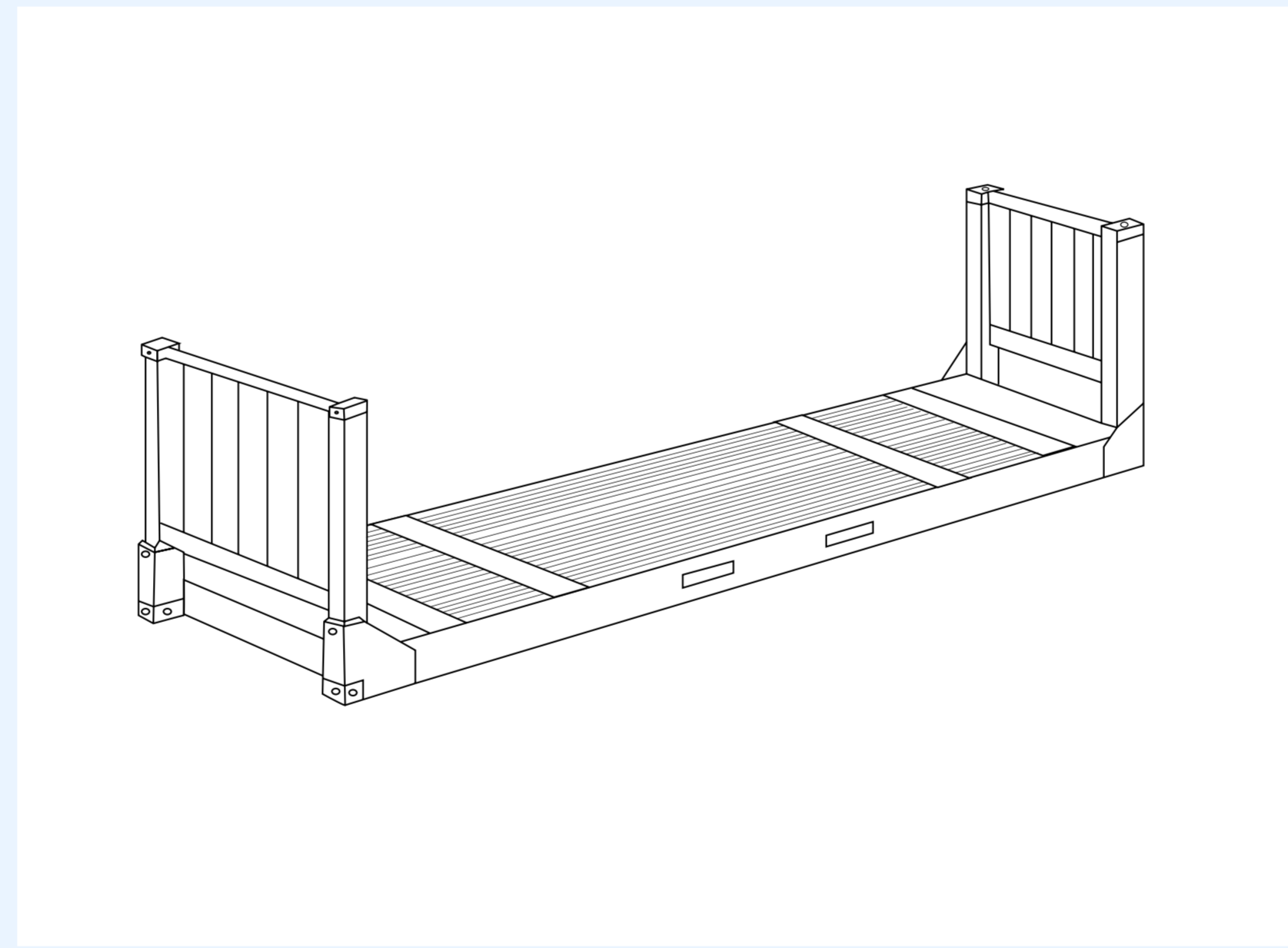
External dimensions (LxWxH)	12.16×2.42×2.58 m	39.99×8.00×9.51 ft
Internal dimensions (LxWxH)	11.58×2.29×2.40 m	38.0×7.5×7.9ft
Door opening (WxH)	2.29×2.57 m	7.5×8.4 ft
Tare weight	4,480 kg	9,880 lbs
Payload capacity	29,520 kg	65,080 lbs
Cubic capacity	67.3 m <sup>3</sup>	2,380 cu ft

## FLAT RACK CONTAINER



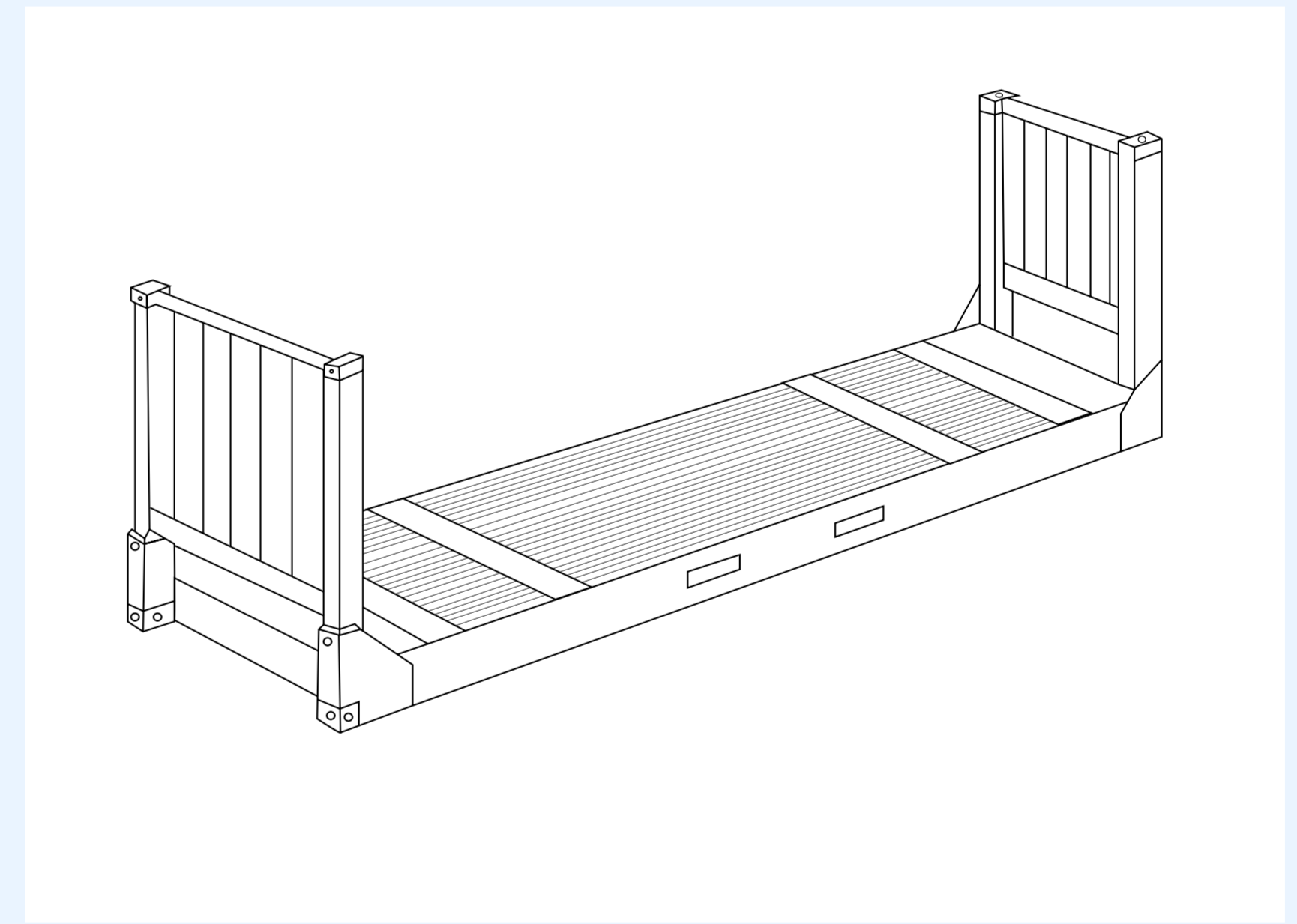
20' Flat rack container

Dimensions (LxWxH)	5.94×2.35×2.35 m	19.5×7.7×7.7 ft
Tare weight	2,360 kg	5,071.5 lbs
Payload capacity	30,140 kg	55,126.9 lbd
Cubic capacity	32.7 m <sup>3</sup>	1,172 cu ft



40' Flat rack container

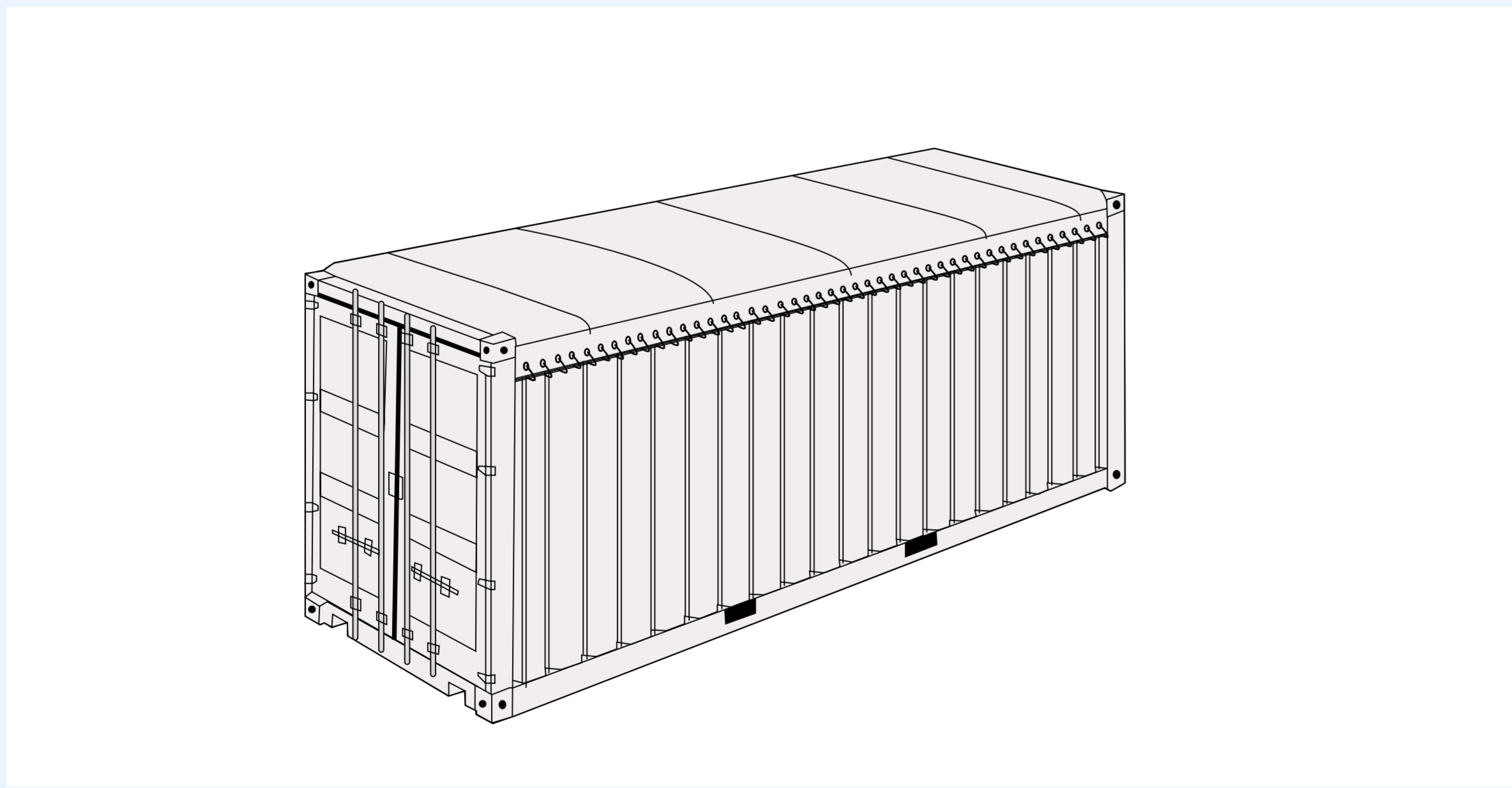
Dimensions (LxWxH)	12.13×2.40×2.40 m	39.8×7.9x.9 ft
Tare weight	5,000 kg	11,025 lbs
Payload capacity	40,000 kg	88,200 lbd
Cubic capacity	62.2 m <sup>3</sup>	2,195.7 cu ft



40' High cube flat rack container

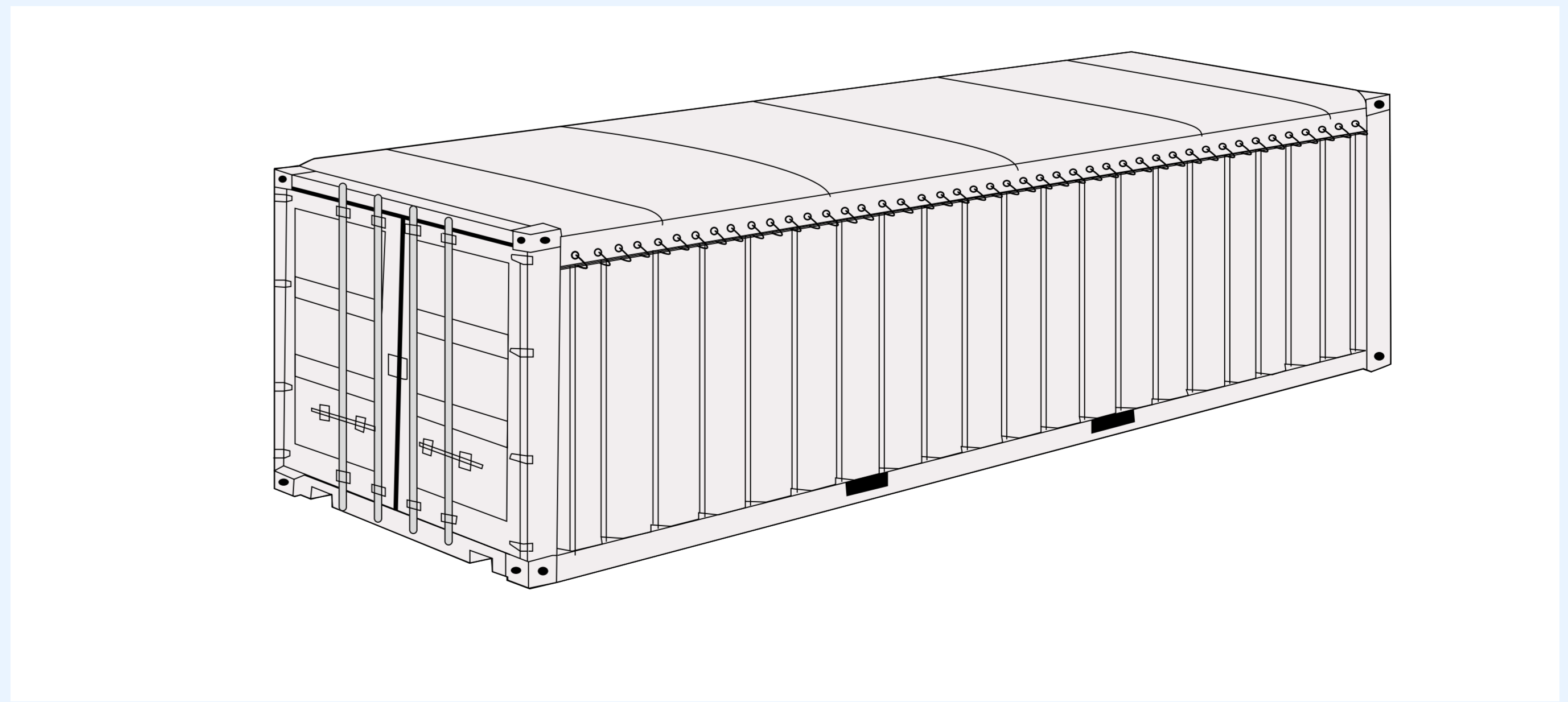
Dimensions (LxWxH)	12.192×2.438×2.896 m	40.0×8.0x.9.6 ft
Tare weight	5,200kg	11,460 lbs
Payload capacity	52,000 kg	115,740 lbd
Cubic capacity	66.7 m <sup>3</sup>	2,354.3 cu ft

## OPEN TOP CONTAINER



20' Open top container

External dimensions (LxWxH)	6.05×2.43×2.59 m	19.84×7.97×8.49 ft
Internal dimensions (LxWxH)	5.9×2.35×2.38 m	19.3×7.7×7.8 ft
Door opening (WxH)	2.23×5.44 m	7.3×17.8 ft
Roof opening (WxH)	2.23×5.44 m	7.3×17.8 ft
Tare weight	2,350 kg	5,181.8 lbs
Payload capacity	28,130 kg	62,026.7 lbs
Cubic capacity	32.5 m <sup>3</sup>	1,147.3 cu ft



40' Open top container

External dimensions (LxWxH)	12.19×2.43×2.59 m	39.99×7.79×8.4 ft
Internal dimensions (LxWxH)	12.03×2.35×2.38 m	39.5×7.7×7.8 ft
Door opening (WxH)	2.34×2.29 m	7.7×7.5 ft
Roof opening (WxH)	2.21×11.57 m	7.3×17.8 ft
Tare weight	3,850 kg	8,489.3 lbs
Payload capacity	26,630 kg	58,719.2 lbs
Cubic capacity	66.4 m <sup>3</sup>	2,343.9 cu ft